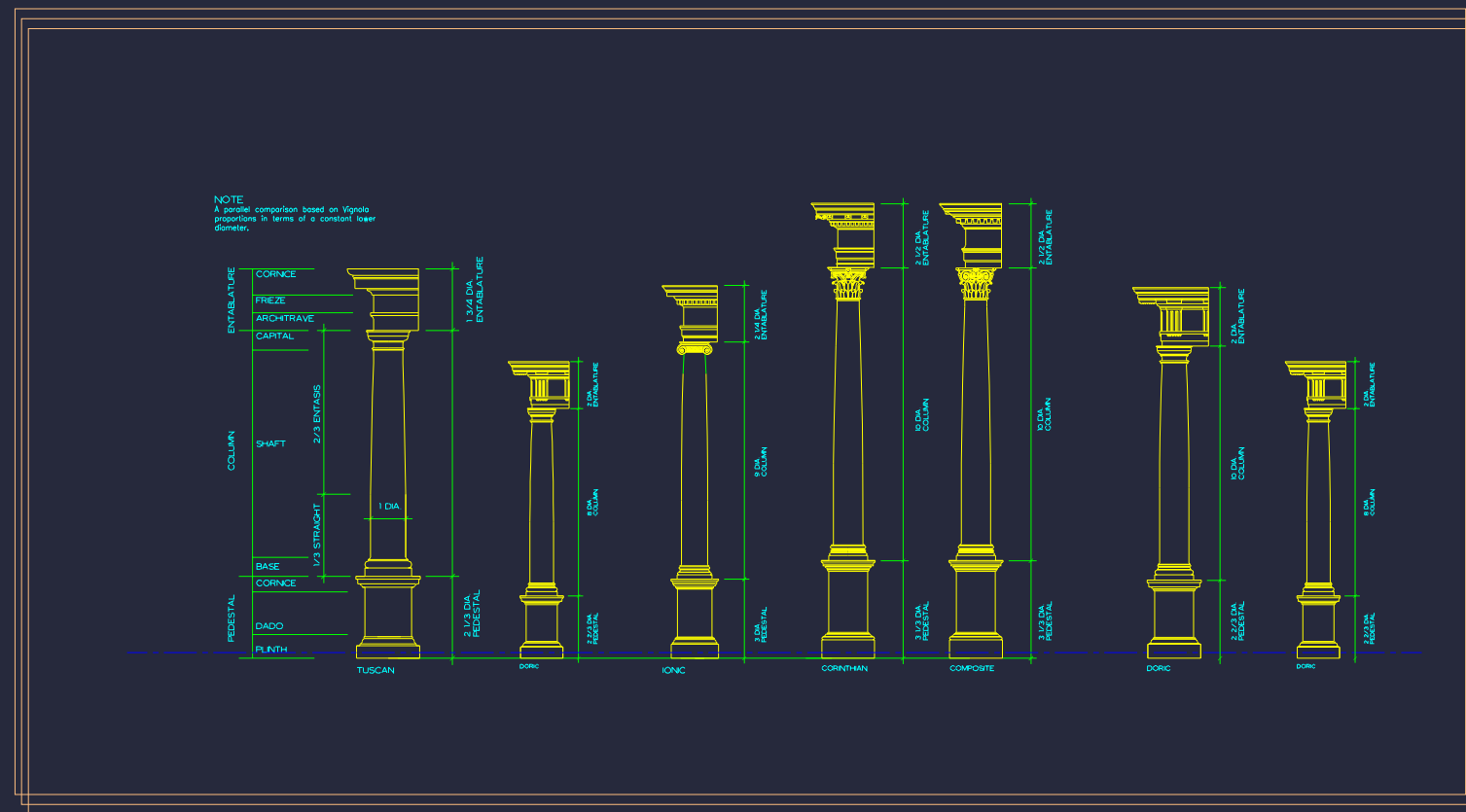
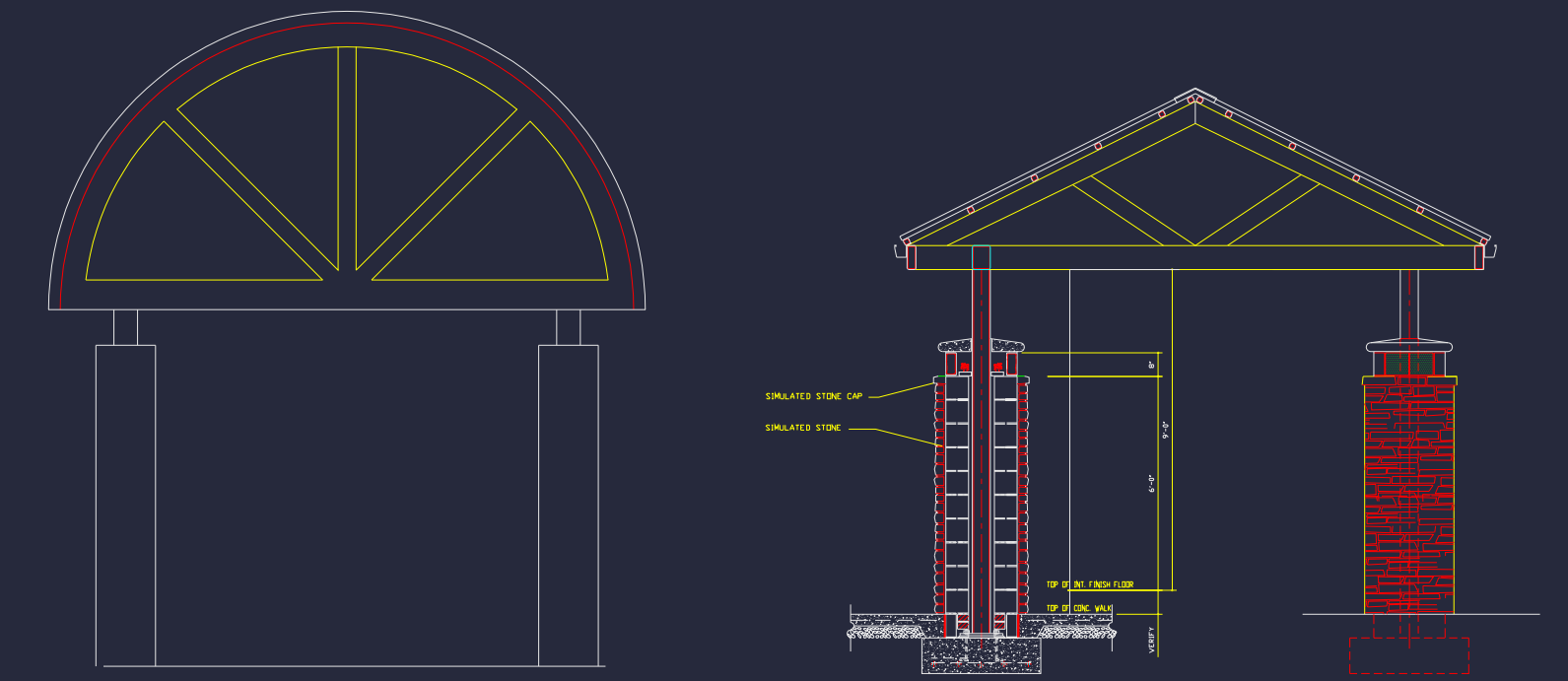
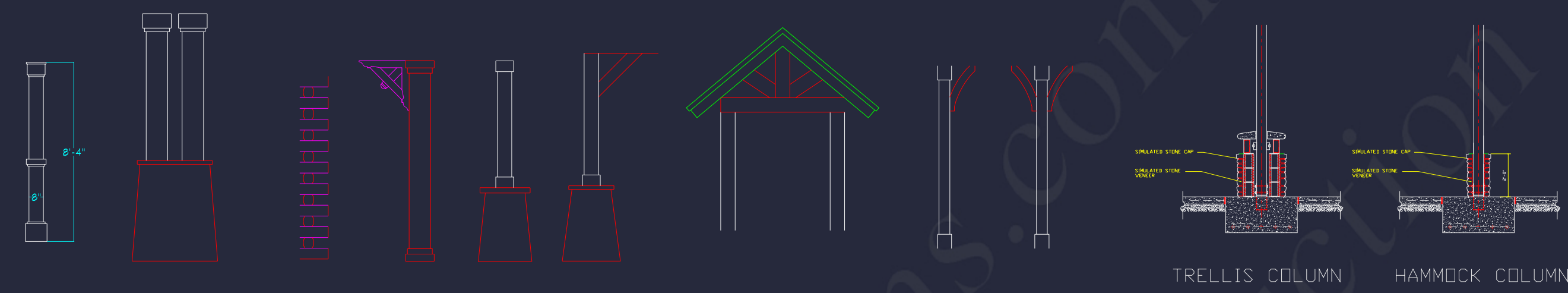


CLASSIC ORDERS

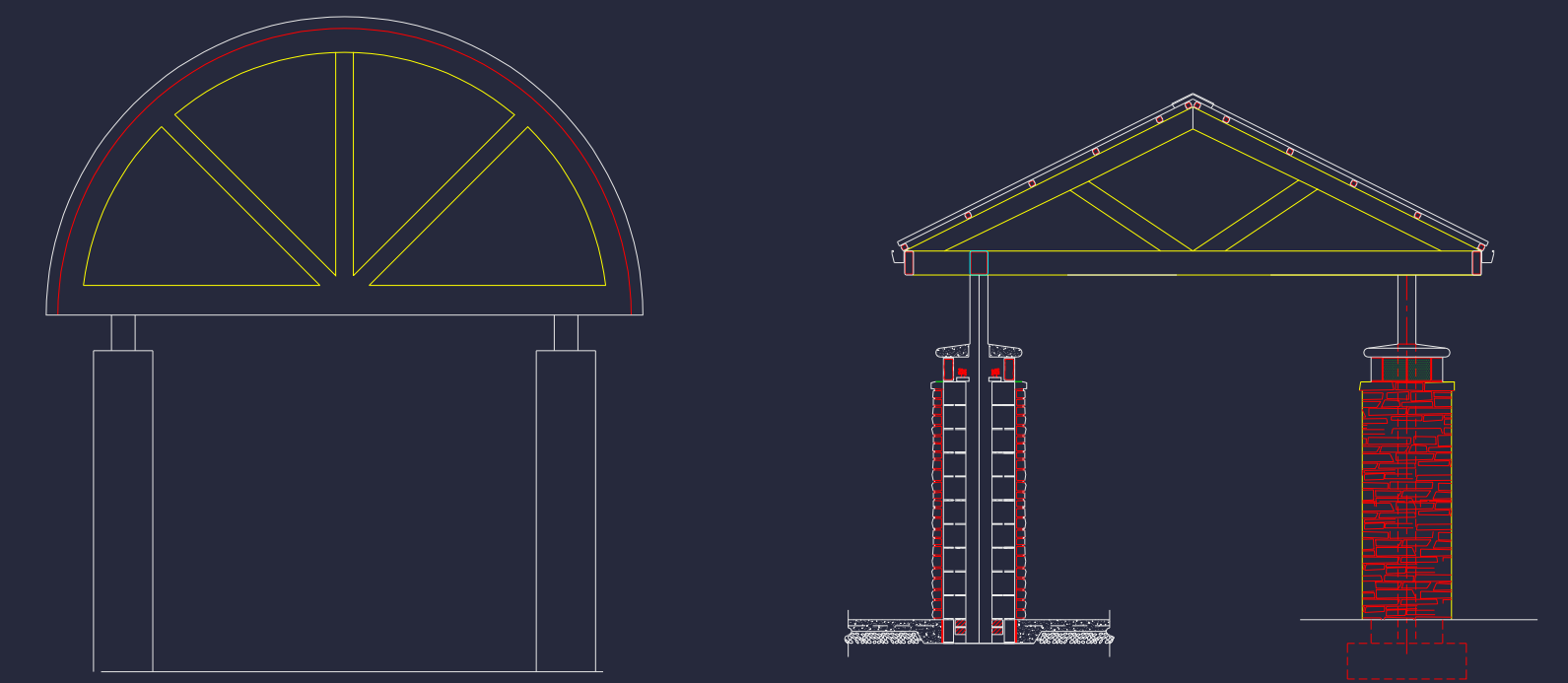
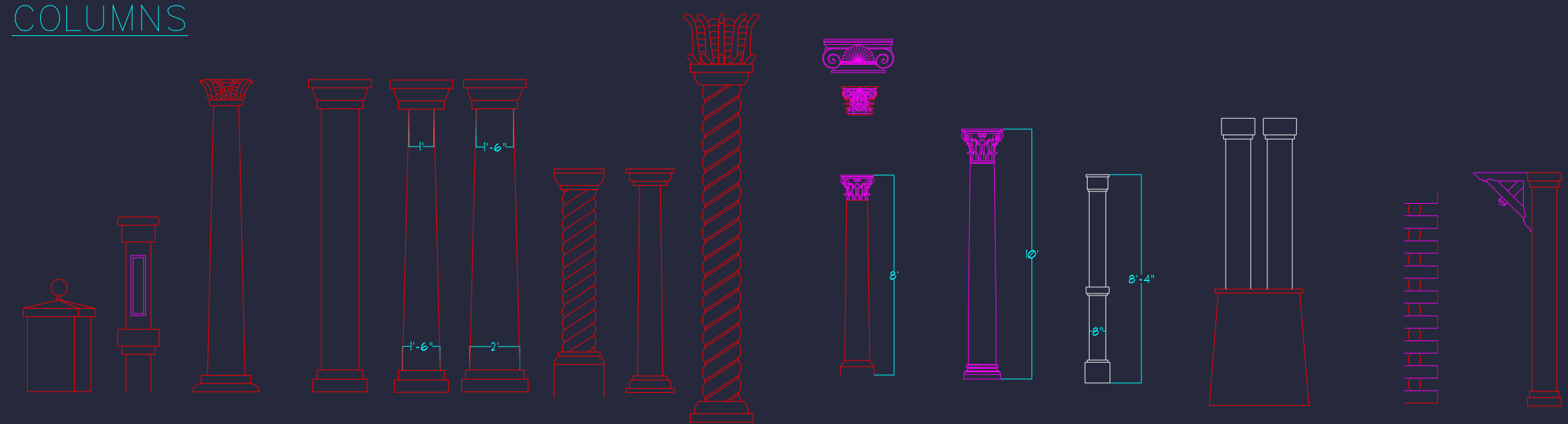


COLUMNS

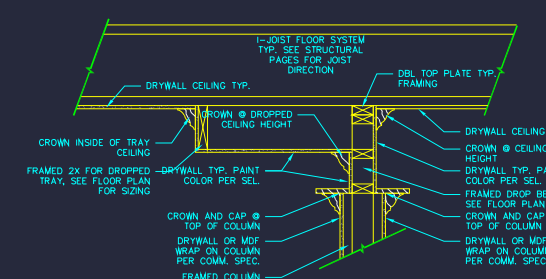


FRONT ENTRANCE COLUMN

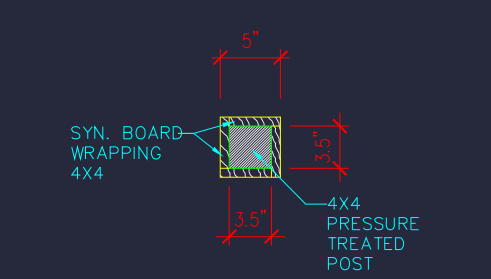
COLUMNS



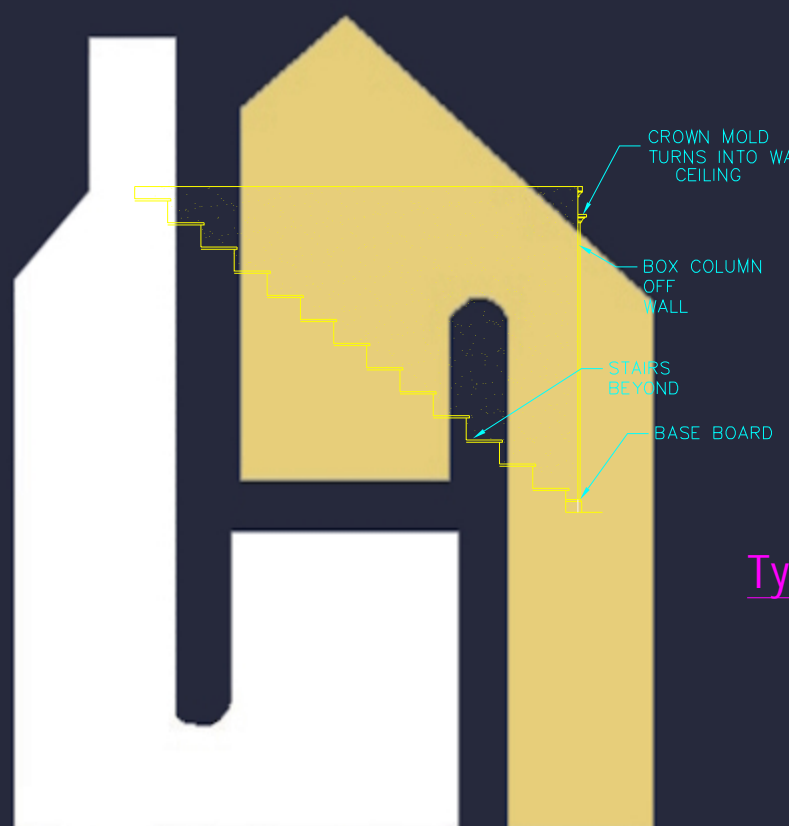
FRONT ENTRANCE COLUMN



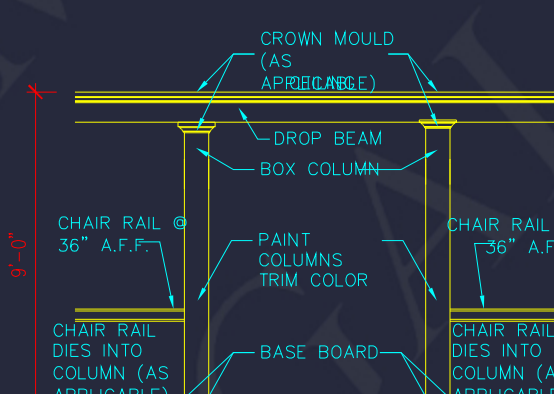
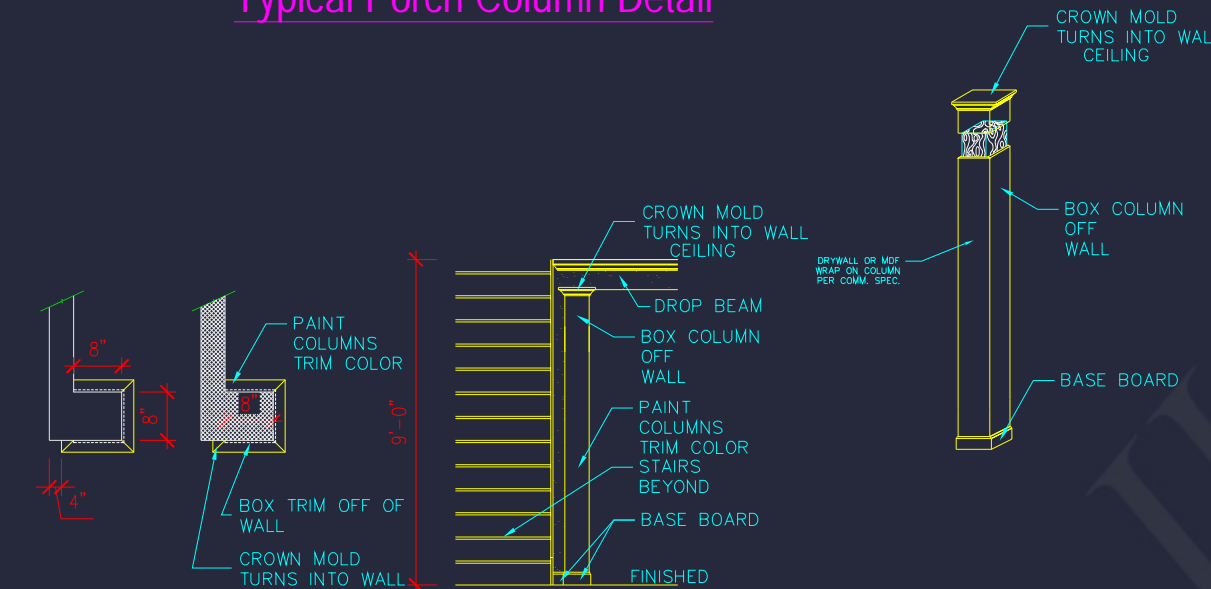
Typical Tray Ceiling w/ Column



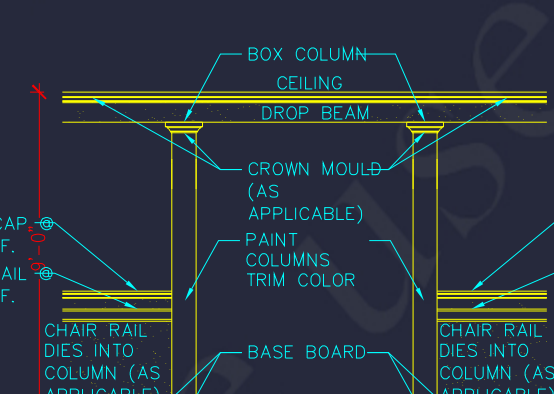
Typical Porch Column Detail



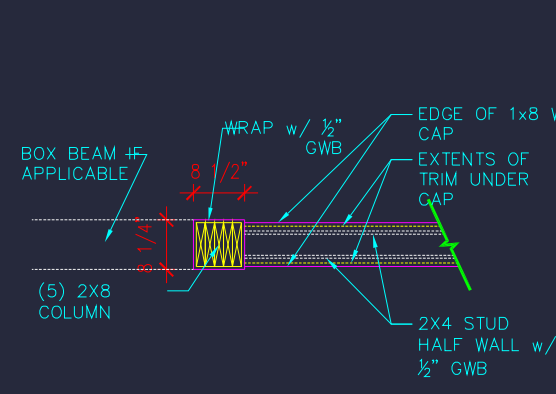
Typical Stair Column Detail



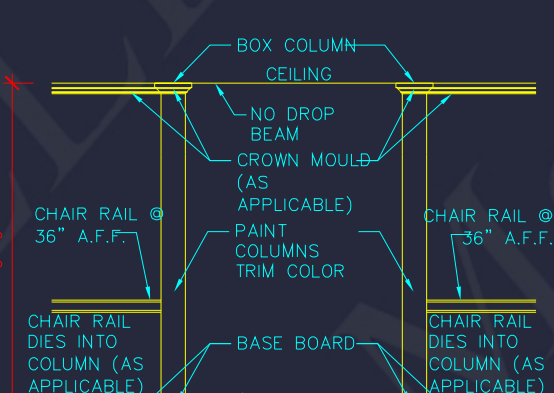
Typical Interior Column Detail With Drop Beam



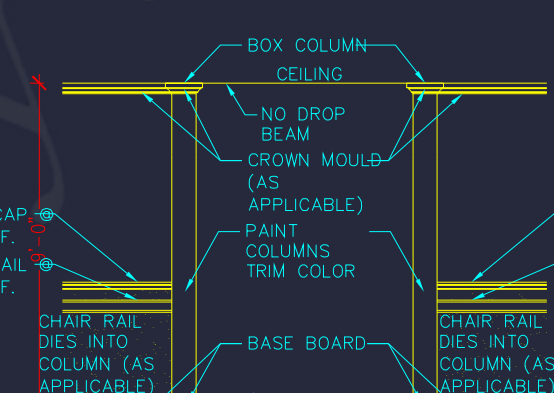
Typical Interior Column Detail With Half Wall



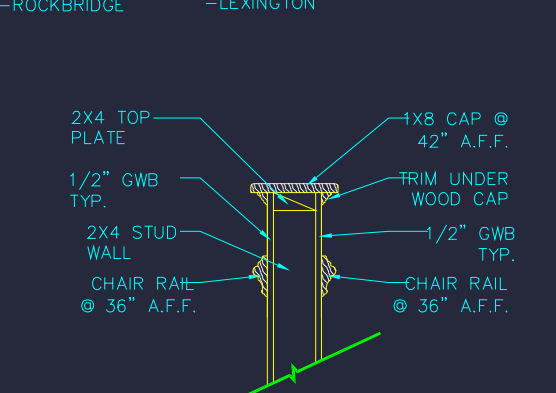
Typical Column Framing Detail



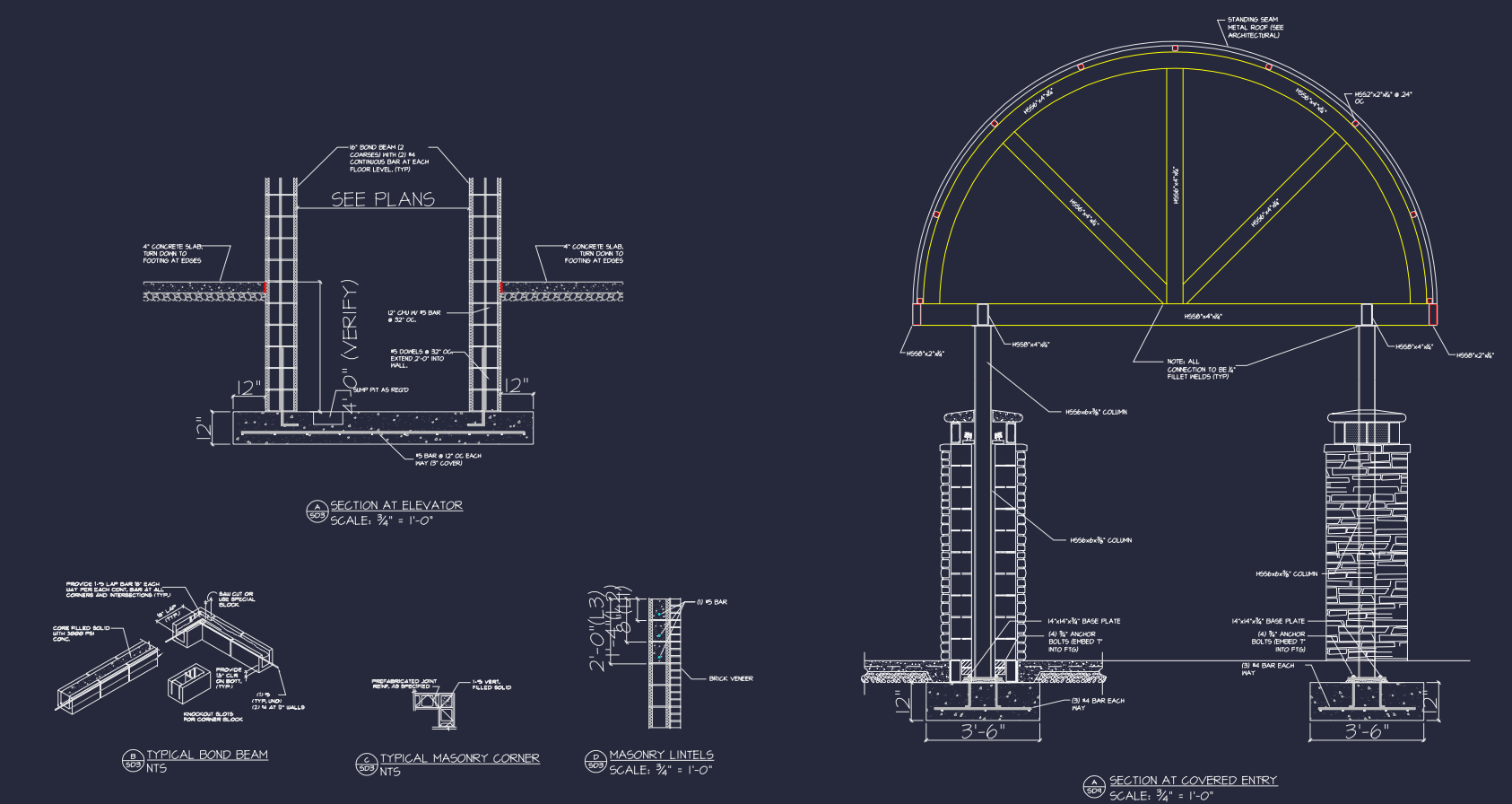
Typical Interior Column Detail No Drop Beam



Typical Interior Column Detail No Drop Beam w/ Half Wall



Typical Half Wall Cap Detail



SECTION AT COVERED ENTRY